

Sáez motion

SÁEZ

machinery



SZ357

Ph.: +34 968 102 884

www.saezmotion.com

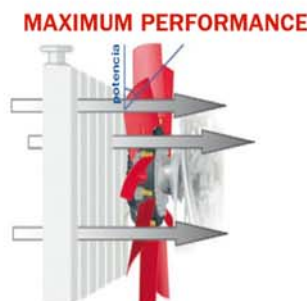
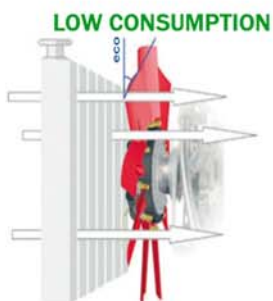
SÁEZ has developed the SZ357 telescopic handler as the ideal machine for agricultural and livestock maintenance work. Its technical characteristics have been adapted to the demands of one of the most demanding sectors, the agricultural sector.

The SZ357 telehandler has excellent handling qualities with a maximum load of 3500 Kg and a maximum height of over 7 metres (7235 mm).

The SZ357 model can come fitted with an approved tow hook that is adjustable in height, and which has a towing capacity of up to 20,000 kg, which is ideal for agricultural towing.

Its 15.5-80/24 PR14 tyres, four steering wheels and maximum stability, allow the SZ357 model to adapt perfectly to the most difficult terrain.

The SZ357 models combine the smooth operating of the hydrostatic transmission with an excellent response from the 2 mechanical speed gear box, allowing for a speed of 40 Km/h when moving and maximum traction at low speed.



The SZ357 model has an innovative reversible fan. It does not only sucks in air, it can also blow energetically in order to clean the radiator. This fan offers a greater and optimum flow of clean air thanks to the precise orientation of the blades without changing the direction of rotation, it can turn on its own axis crossways! The advantages for the machine mean that:

- THE ENGINE DOES NOT OVERHEAT.
- THERE IS NO LOSS OF PERFORMANCE WITH AIR CONDITIONING.
- LESS TIME NEEDED FOR CLEANING AND REPAIRS.
- IT SAVES UP TO 6% FUEL.
- UP TO 60% LESS ENERGY CONSUMED BY THE FAN.



All of the elements of the SZ327 telescopic handler are designed to facilitate maintenance and reduce its cost as much as possible, as there is full accessibility to all of the parts that require maintenance, either periodically or in terms of breakdowns, thus minimising the time needed for any repairs.

With the SZ357 model, energy consumption has been optimised in order to attain low fuel consumption without sacrificing maximum performance for the sectors that it is aimed at, our aim is achieving the best level of productivity for these businesses.

A lot of care has also been taken with the SZ357 telescopic handler in relation to the safety and comfort of the operator. The cabin of the SZ357 has great visibility, it has been fitted with a higher driving position in order to have greater visual control over the machine, the controls are ergonomic and simple to operate, there is a joystick with proportional functions and it is designed according to FOPS/ROPS standards.

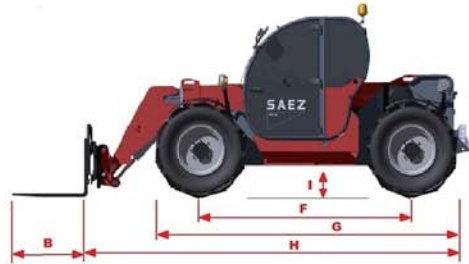
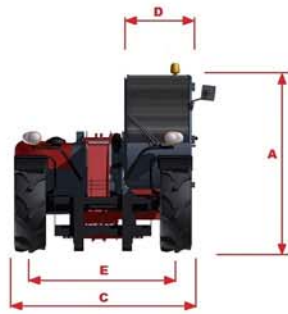


Equipment

- Engine Deutz 90 Kw
- Four-wheel drive and guidelines
- Dual air filter
- Fuel filter with water separator
- Hydrostatic filter
- Hydraulic return filter
- Double suction filter in the hydraulic system
- Safety valves on cylinders
- Hydrostatic pump and motor with variable displacement
- Services pump Load Sensing
- Electro-proportional control movements
- Inching hydrostatic disconnection
- Hydraulic auxiliary system in boom and rear
- Negative brake for differential lock
- Stability control device visual and acoustic
- Cabin according FOPS/ROPS with heated and ventilated
- Protection grid cabin roof
- Right and left door mirrors
- Adjustable seat with seat belt
- Adjustable steering column
- Joystick with propositional functions
- Hydraulic power steering
- Oil filter status indicator visual services
- Rear axle alignment indicator
- Rear window with hinged
- Door with two pieces hinged opening 180°
- Reversible innovative fan and low consumption
- Air conditioner
- Prewired radio and speakers
- Rotating light
- Approved towing hitch up to 20 tons
- Forks with sideshift
- Road light front and rear
- Agricultural tires 15.5/80-24
- Working lights front and rear
- 7-pin electrical connector



Tecnical Data



MODEL

SZ-357

MEASUREMENTS

Height	7,235 m
Maximum lift capacity	3.500 kg
Lift capacity at maximum height	2.500 kg
Lift capacity at maximum reach	1.200 kg
Maximum reach	4,190 m
Maximum reach at maximum height	0,920 m
A Overall height	2,410 m
B Fork length	1,200 m
C Width	2,304 m
D Width cabin	0,875 m
E Front track	1,890 m
F Wheelbase	2,894 m
G Overall length to front of tires	4,138 m
H Overall length to front of carriage	4,987 m
I Ground Clearance	0,430 m

FEATURES

Turn radius int./ext.	1.760 m/ 3.825 m
Penetrating power (bucket 800l SAE J 732/80)	3.500 kg
Tractive effort	5.458 daN
Speed in travelling mode (max.)	40 km/h
Carriage rotation	131°
Tyres	15.5/80 24" PR14
Maximum towing capacity (with brakes)	20.000 Kg

ENGINE AND TRANSMISSION

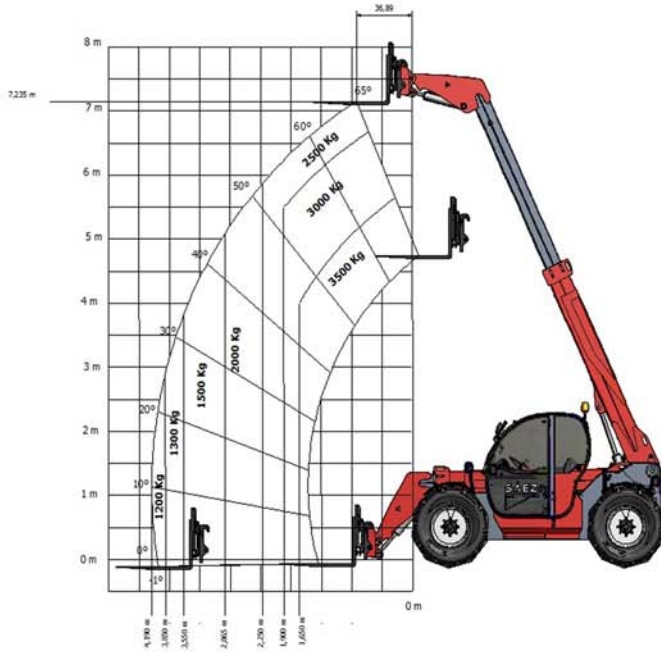
Engine	Deutz, diesel, 90 Kw, Stage IIIB
Transmission	Hidrostatic motor-pump gearbox 2 mechanical gear
Hydraulic pump	Gear pump 250 bar, 102 l/min.
Fuel tank	100 L
Engine oil	8.5 L
Hydraulic tank	180 L

WEIGHT

Weight unladen (without forks)	6.885 kg
--------------------------------	----------



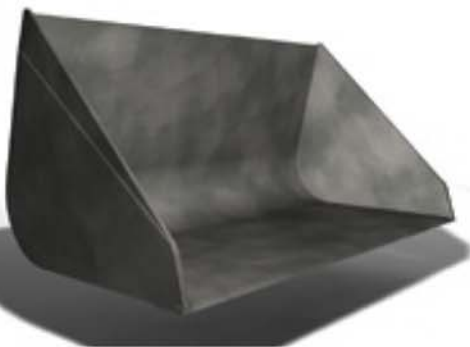
Lift performance



Maximum lift capacity	3,500 kg
Height lift capacity	7,235 mm
Maximum reach	4,190 mm
Height at maximum load	5,600 mm
Reach at maximum load	1,650 mm
Lift capacity at maximum height	2,500 kg
Lift capacity at maximum reach	1,200 kg

Attachments

Bucket



Fork with grapple

Bucket with grapple



There are a variety of accommodations and types of attachments that are not present in the catalog and to be consulted with the manufacturer through the commercial agent.

SÁEZ MACHINERY, S.L.
CIF: B-73629305
CTRA. DE BENIAJAN, KM.5
30570 BENIAJAN (MURCIA)
ESPAÑA

FACTORY
CARRETERA FORTUNA S/N
30500 MOLINA DE SEGURA (MURCIA)

SÁEZ



machinery

MOTION