

Sáez motion

SÁEZ

machinery



SZ4017

Ph.: +34 968 102 884

www.saezmotion.com



The SZ4017 model is a telescopic handler with a maximum height of 17m and a maximum load of 4000 kg, with this model we have taken our production philosophy to its greatest heights for the range of fixed telescopic handlers.

This model offers the latest technology, and among these systems what stands out is the Powershift movement with four links, maximum precision in all of their hydraulic drives thanks to the proportional movements with a high performance variable flow pump, and CAM-BUS technology in order to provide the operator with maximum safety and communication with the machine.



The SZ4017 handler is equipped with a cabin designed expressly to guarantee the comfort of the operator, it is spacious, has great visibility and the layout of the controls is very ergonomic. With regard to maintenance aspects, the machinery has been optimised a lot in order to reduce the costs of maintenance considerably. The SZ4017 model can also offer multiple functional possibilities through a great varieties of implements.



With the SZ4017 telescopic handler we continue on our philosophy of aiming to facilitate and reduce the costs of maintenance as much as possible, as it provides complete accessibility to all of the parts that require maintenance, either periodically or with breakdowns, thus minimising the time needed for any repair.

The SZ4017 model is fitted out with a cabin that provides the operator with greater comfort in their work area as they have more space and a broader field of vision in order to be able to control the loads and working environment at all times.

It also has a monitor that provides the operator with complete information about the status of the machine thanks to CAM-BUS technology that it has built-in.

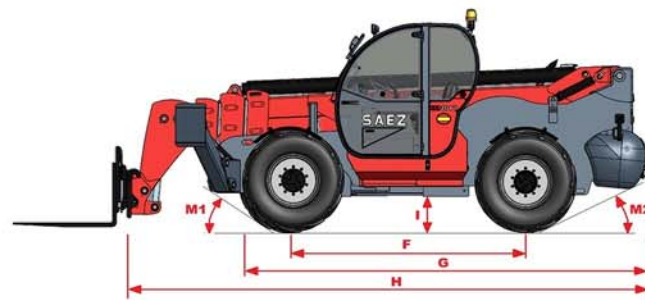
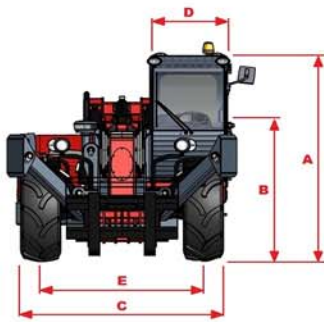


Equipment

- Engine Deutz 90 Kw
- Four-wheel drive and guidelines
- Dual air filter
- Fuel filter with water separator
- Hydrostatic filter
- Powershift transmission
- Safety valves on cylinders
- Piston pump variable flow
- Load Sensing System to reduce consumption
- Electro proportional distributor
- CAM-BUS technology
- Hydraulic auxiliary system in boom
- Negative brake for differential lock
- Stability control device visual and acoustic
- Cabin according FOPS/ROPS with heated and ventilated
- Protection grid cabin roof
- Right and left door mirrors
- Adjustable seat with seat belt
- Adjustable steering column
- Proportional joystick with 7 functions
- Hydraulic power steering
- Oil filter status indicator visual services
- LCD information display screen
- Rear window with hinged
- Door with two pieces hinged opening 180°
- Horn
- Hourmeter
- Prewired radio and speakers
- Rotating light
- Mudguard
- Forks with sideshift
- Road light front and rear
- Tires 405/70-24
- Working lights front and rear
- 7-pin electrical connector



Technical Data



MODEL

SZ-4017

MEASUREMENTS

Height	16,80 m
Maximum lift capacity	4.000 kg
Lift capacity at maximum height	3.000 kg
Lift capacity at maximum reach	800 kg
Maximum reach	12,80 m
Maximum reach at maximum height	2,6 m
A Overall height	2,57 m
B Height to steering wheel	1,7 m
C Width	2,3 m
D Width cabin	0,89 m
E Front track	1,84 m
F Wheelbase	2,85 m
G Overall length to front of tires	4,9 m
H Overall length to front of carriage	6,4 m
I Ground clearance	0,414 m
M1 Entry angle	30°
M2 Departure angle	23°

FEATURES

Turn radius wheel/fork	3,75 /5,45
Penetrating power	70 kN
Tractive effort	82kN
Speed in travelling mode (max.)	36 km/h
Carriage rotation	145°
Tyres	405/70 24" PR14

ENGINE AND TRANSMISSION

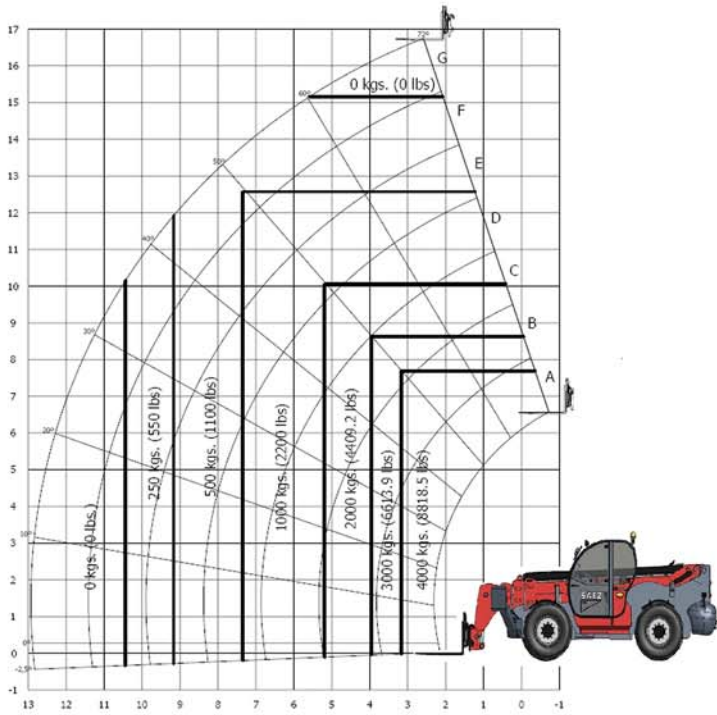
Engine	Deutz, diesel, 90 Kw, Stage IIIB
Transmission	Powershift transmission, 4 gear forward and 3 gear rear, permanent 4x4 with surmountable unevenness of the 45%
Hydraulic pump	Piston pump variable flow, working pressure of 250 bar and maximum flow 130 l / min
Fuel tank	150 L
Engine oil	8.5 L
Hydraulic tank	180 L

WEIGHT

Weight unladen (without forks)	12.400 kg
--------------------------------	-----------



Lift performance

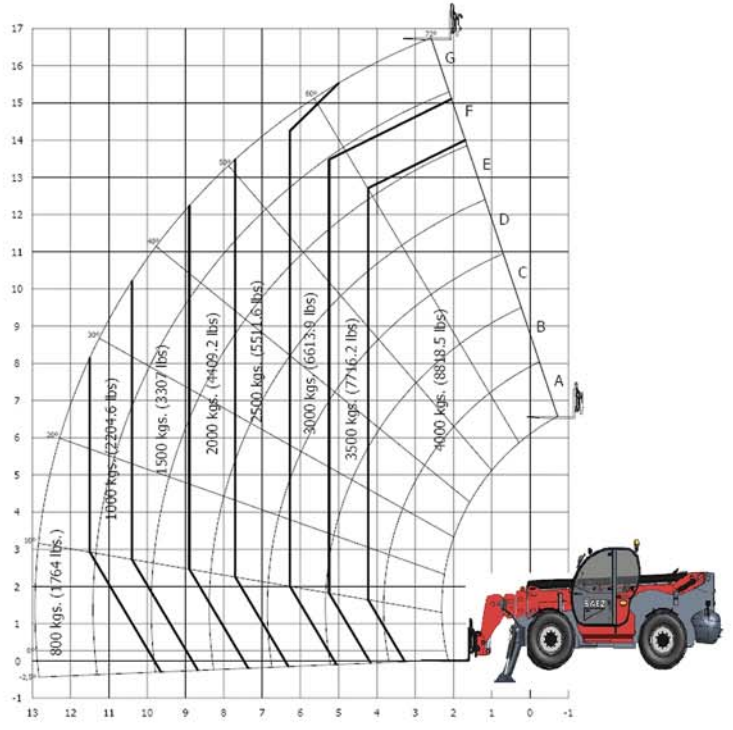


WITHOUT STABILIZERS

Maximum lift capacity	4,000 kg
Height lift capacity	16,800 mm
Maximum reach	12,800 mm
Height at maximum load	7,700 mm
Reach at maximum load	3,100 mm
Lift capacity at maximum height	500 kg (a 15,000 mm)
Lift capacity at maximum reach	250 kg (a 10,300 mm)

WITH STABILIZERS

Maximum lift capacity	4,000 kg
Height lift capacity	16,800 mm
Maximum reach	12,800 mm
Height at maximum load	14,000 mm
Reach at maximum load	3,100 mm
Lift capacity at maximum height	3,000 kg
Lift capacity at maximum reach	800 kg



Attachments

Forks with sideshift



Jibs of various types and capabilities



Bucket of various types and capabilities

There are a variety of accommodations and types of attachments that are not present in the catalog and to be consulted with the manufacturer through the commercial agent.

SÁEZ MACHINERY, S.L.
CIF: B-73629305
CTRA. DE BENIAJAN, KM.5
30570 BENIAJAN (MURCIA)
ESPAÑA

FACTORY
CARRETERA FORTUNA S/N
30500 MOLINA DE SEGURA (MURCIA)

SÁEZ



machinery

MOTION